

Shock Absorber Tool Set 24pc

A specific shock absorber tool set that includes six special extended sockets specifically designed for repairing and replacing shock absorbers.

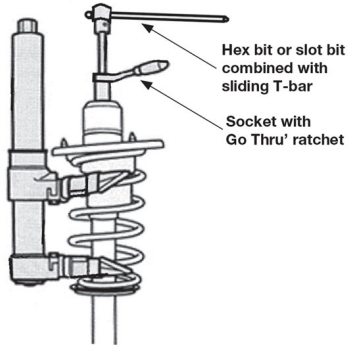


Additional Information

- Twenty four essential tools for repairing and replacing shock absorbers.
- Six long sockets (80mm): 16, 17, 18, 19, 21 and 22mm; 6 extra long sockets (180mm): 16, 17, 18, 19, 21 and 22mm.
- Two 3/8"D adaptors: 90 and 190mm long.
- Six bits x 30mm long: Hex: H5, H6, H7, H8 and Star*: T50; Spline: M10. Four nut drivers: Hex: H10 and metric: 5mm, 6mm and 8mm.
- Set manufactured from Chrome Vanadium and the bits manufactured from S2 material.

<http://lasertools.co.uk/product/7404>

Video available: <https://youtu.be/vMilOumRwn4>



WARNING: ALWAYS USE APPROPRIATE SPRING COMPRESSOR BEFORE REMOVING TOP FIXINGS.

